

MedLock™ | HD is a high-density 62 Contact, push-pull interconnect system designed for electro-surgical catheter applications for both reusable and disposable markets. Its reliable, high strength, auto-latch feature allows the interconnect to couple intuitively & effortlessly for critical surgical applications.

- **Up to 62 pin capacity**
- **Auto-Lock mechanism**
- **Highly flexible cable with a slick, easily cleanable surface**
- **Customizable (color & material) for reusable or disposable application**
- **Autoclavable configuration**



## Specifications

### Mechanical

**Mating Type:**

Push-Pull

**Mating Cycles:**

Plug: 5k min

Receptacle: 6k min

**Mating Forces:**

Insertion: 8 lbf max

Removal: 7.5 lbf max

**Axial Tensile Force:**

15lbf

### Electrical

**Operating Voltage:**

600 VDC

500 VAC

**Operating Current:** 3A

**End-End Resistance:**

< 1.5ohms

### Environmental

**Sterilizable:** gamma, EtO &

Autoclave (customizable option)

**Chemical Resistance:** Common or cleaning solvents

**Finger Safety:** Yes

**Storage & Operating Temp:**

0-46 °C

**IP Rating:**

IP-5X (Panel Mount Receptacle)

IP-6X (Handpiece Receptacle)

### Compatibility

**Contacts:** up to 62 pins

**Plug Cable Assembly**

**Accepted Wire Gauges:** 22-48 AWG

**Cable Jacket OD:** .393"

**Contact Termination:** Solder

**Panel Mount Receptacle**

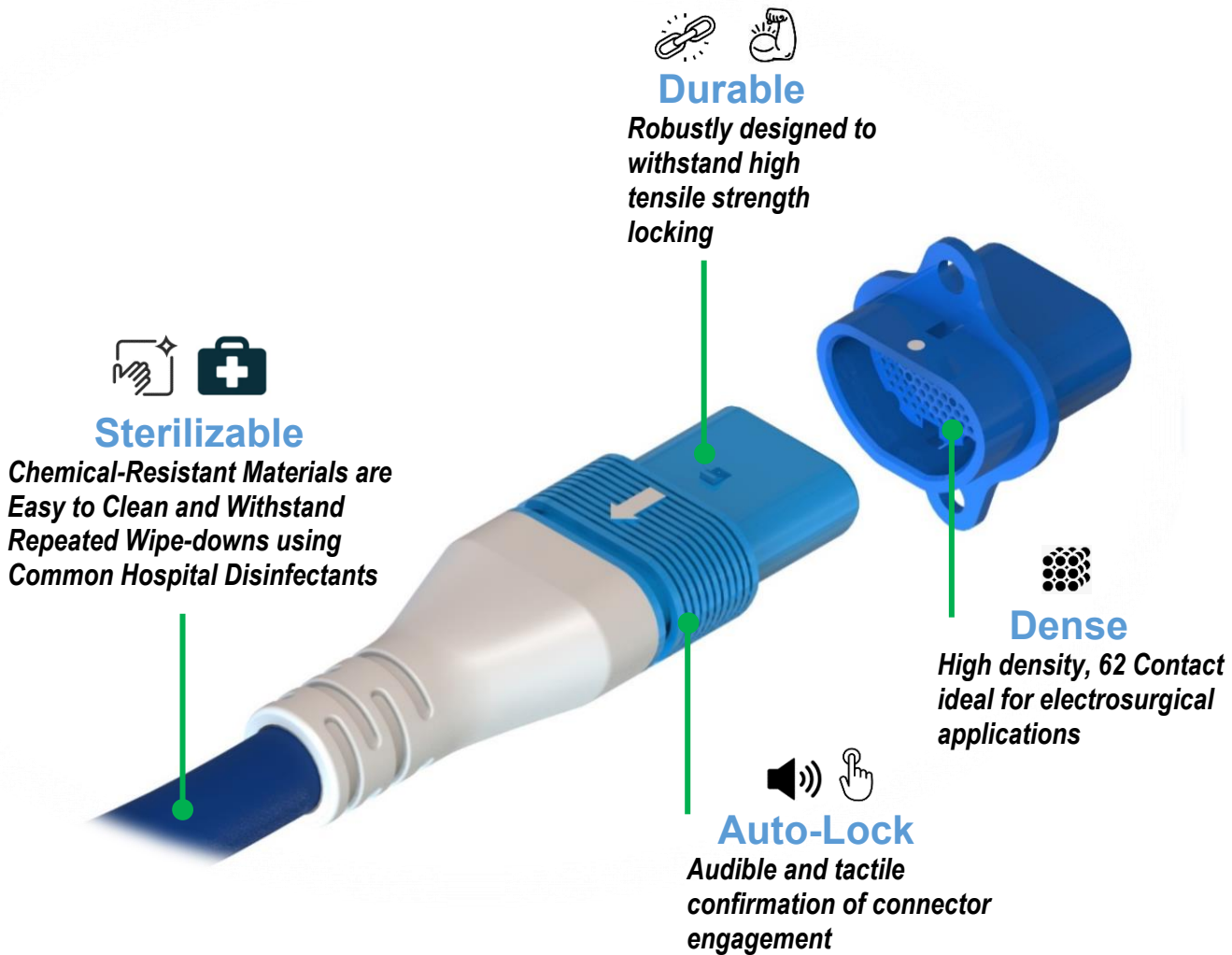
**Contact Termination:**

Wire Termination

**Handpiece Receptacle**

**Contact Termination:**

Thru-hole PCB mount solder tails on pins



**Durable**

Robustly designed to withstand high tensile strength locking



**Sterilizable**

Chemical-Resistant Materials are Easy to Clean and Withstand Repeated Wipe-downs using Common Hospital Disinfectants



**Dense**

High density, 62 Contact ideal for electrosurgical applications



**Auto-Lock**

Audible and tactile confirmation of connector engagement

## Materials & Assembly

### Panel Mount Receptacle

Receptacle Housing: Polycarbonate  
Insulator Board: UL 94V-0 FR-4  
Pins: Gold Plated Brass Alloy

**Required Assembly:** Assemble pinned insulator after terminating wires/PCB/Flex. Mount onto panel using 2x mounting screws and locknuts.

### Handpiece Receptacle

Receptacle Housing: Polycarbonate  
Insulator Board: UL 94V-0 FR-4  
Pins: Gold Plated Brass Alloy

**Required Assembly:** Assemble pinned insulator after terminating wires/PCB/flex. Mount into enclosure.

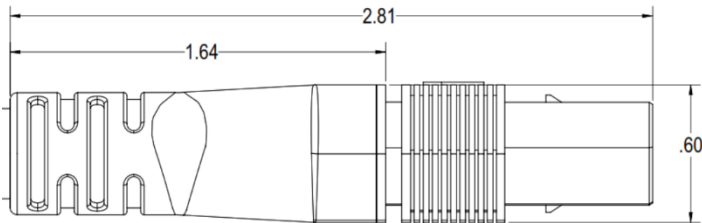
### Plug Cable Assembly

Inner & Outer Housing: PSU  
Overmold Strain Relief: TPU (Customizable)  
Cable Jacket: Parylene Coated, Silicone (Customizable)  
Insulator Board: UL94V-0 FR-4  
Pins: Nickel-Gold Plated Brass Alloy  
Finger Protection Pins: Stainless Steel

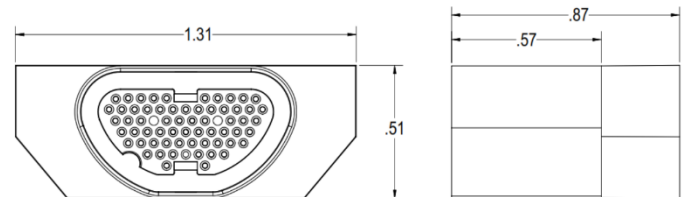
**Required Assembly:** Cable and connector

## Dimensions

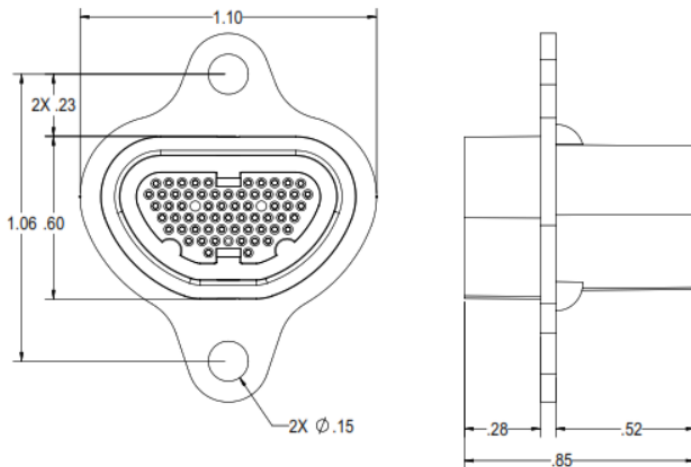
### Plug



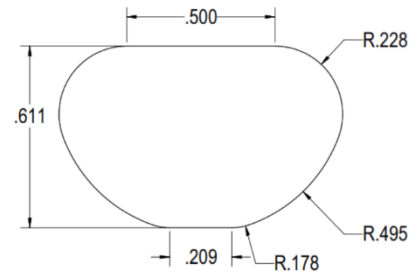
### Handpiece Receptacle



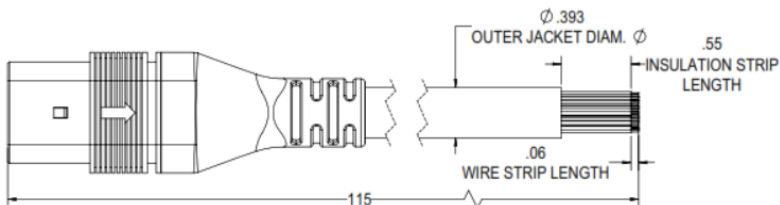
### Panel Mount Receptacle



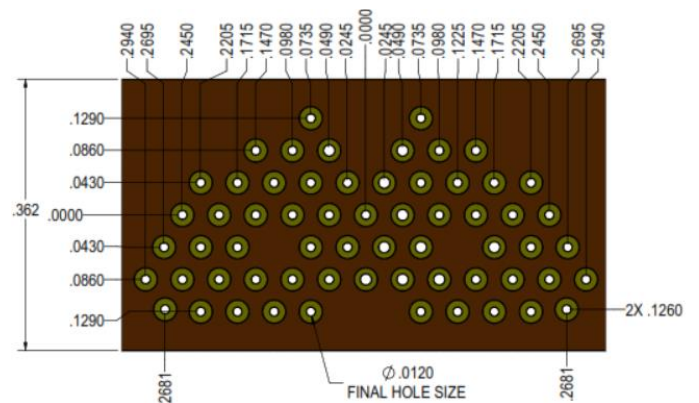
### Recommended Panel Cutout



### Cable Specifications

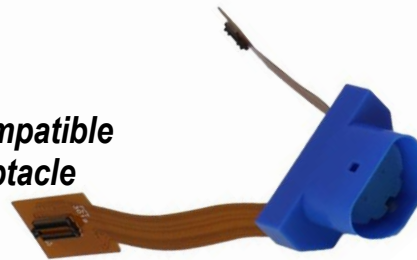


### Recommended Receptacle PCB/Flex Dimensions





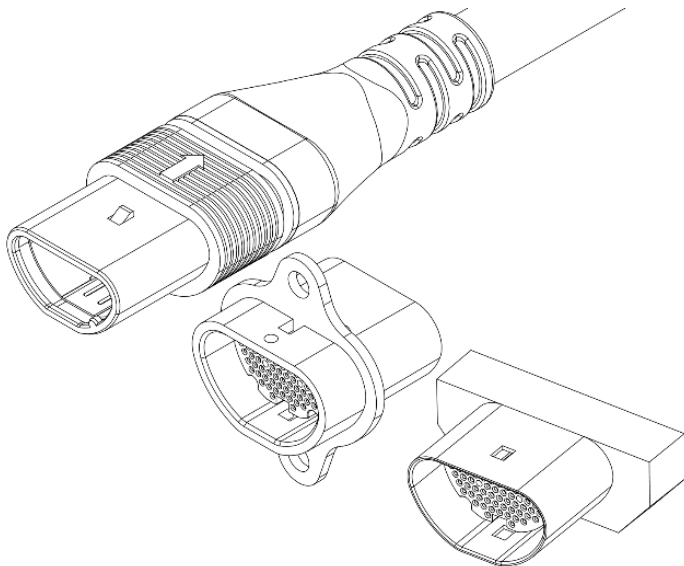
**Wiring Harness  
Receptacle**



**Flex Compatible  
Receptacle**

## **Configurations & Ordering**

---



### **Custom Options Available:**

Reach out to our sales team about laser-engraved logos, personalized color options, high volume orders, and end-to-end custom cable assemblies, including our integrated SmartConnect™ capabilities.

#### **Contact Us:**

[sales@onanon.com](mailto:sales@onanon.com)

408-262-8990

[www.onanon.com](http://www.onanon.com)

720 S Milpitas Blvd.

Milpitas, CA 95035