

SP337 PINOUT RECOMMENDATION FOR SINGLE DB-9 CONNECTOR

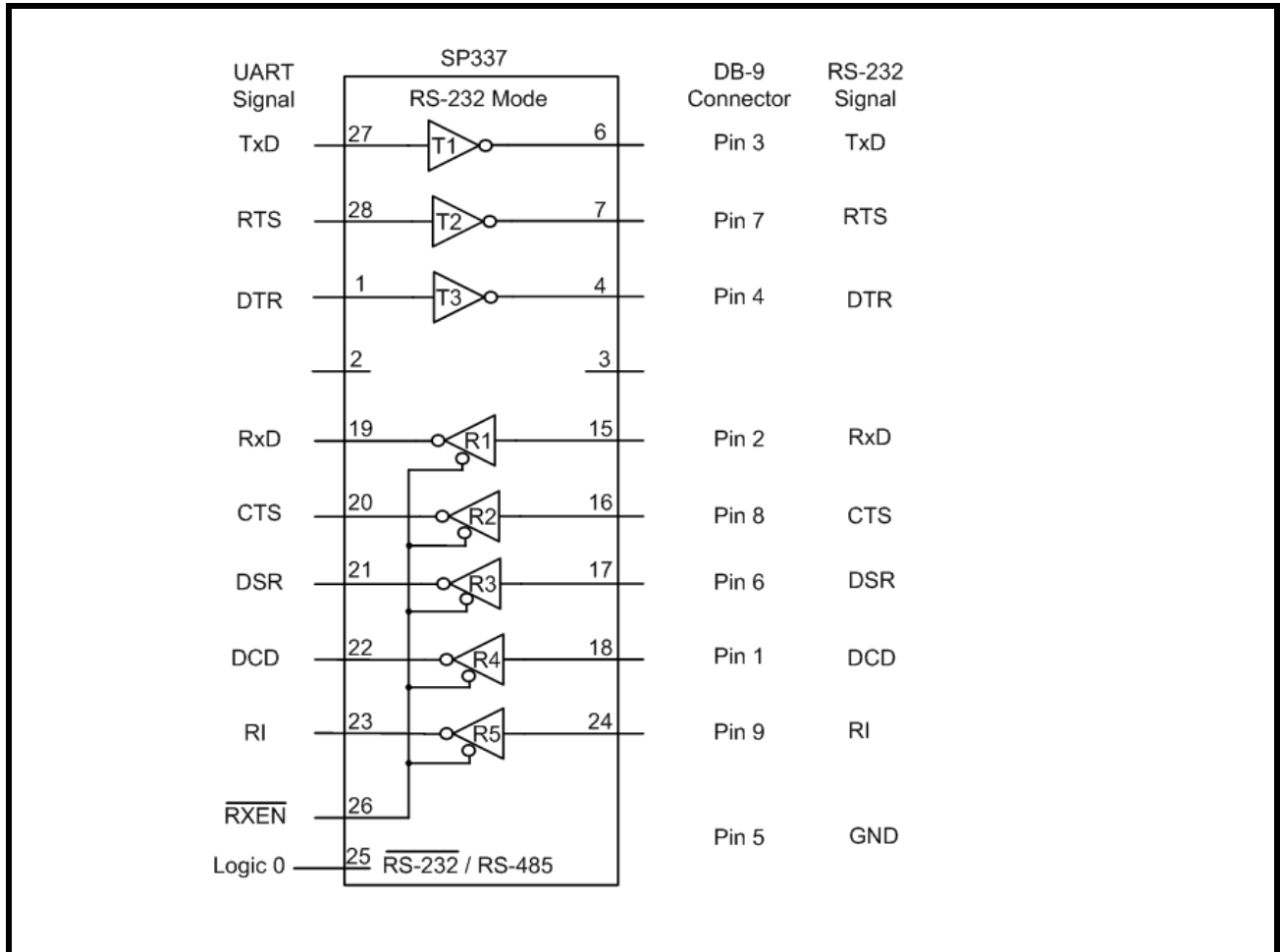
1.0 INTRODUCTION

This document provides recommendations on how the SP337 can be used to support RS-232, full-duplex RS-485/RS-422 and half-duplex RS-485 on a single DB-9 connector.

2.0 RS-232 PINOUT

Figure 1 below shows the signals from the UART that are connected to the SP337. For RS-232, the DB-9 pins are defined.

FIGURE 1. RS-232 PINOUT

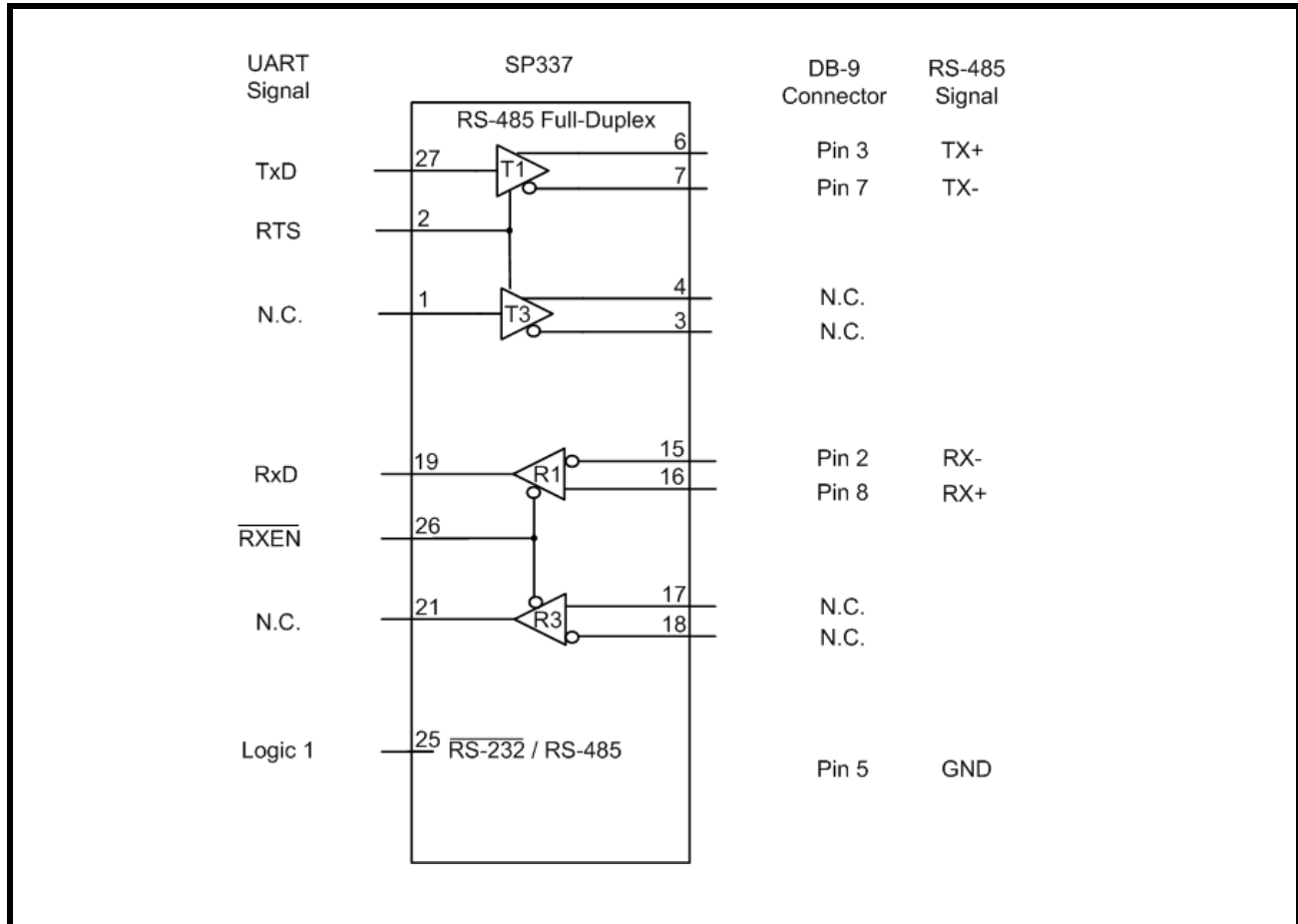


AN211

3.0 FULL-DUPLEX RS-485/RS-422 PINOUT

Figure 2 below shows which pins the full-duplex RS-485/RS-422 signals will be on the DB-9 connector when using the same UART connections shown in Figure 1. The RTS pin from the UART can be used to enable/disable the differential driver outputs.

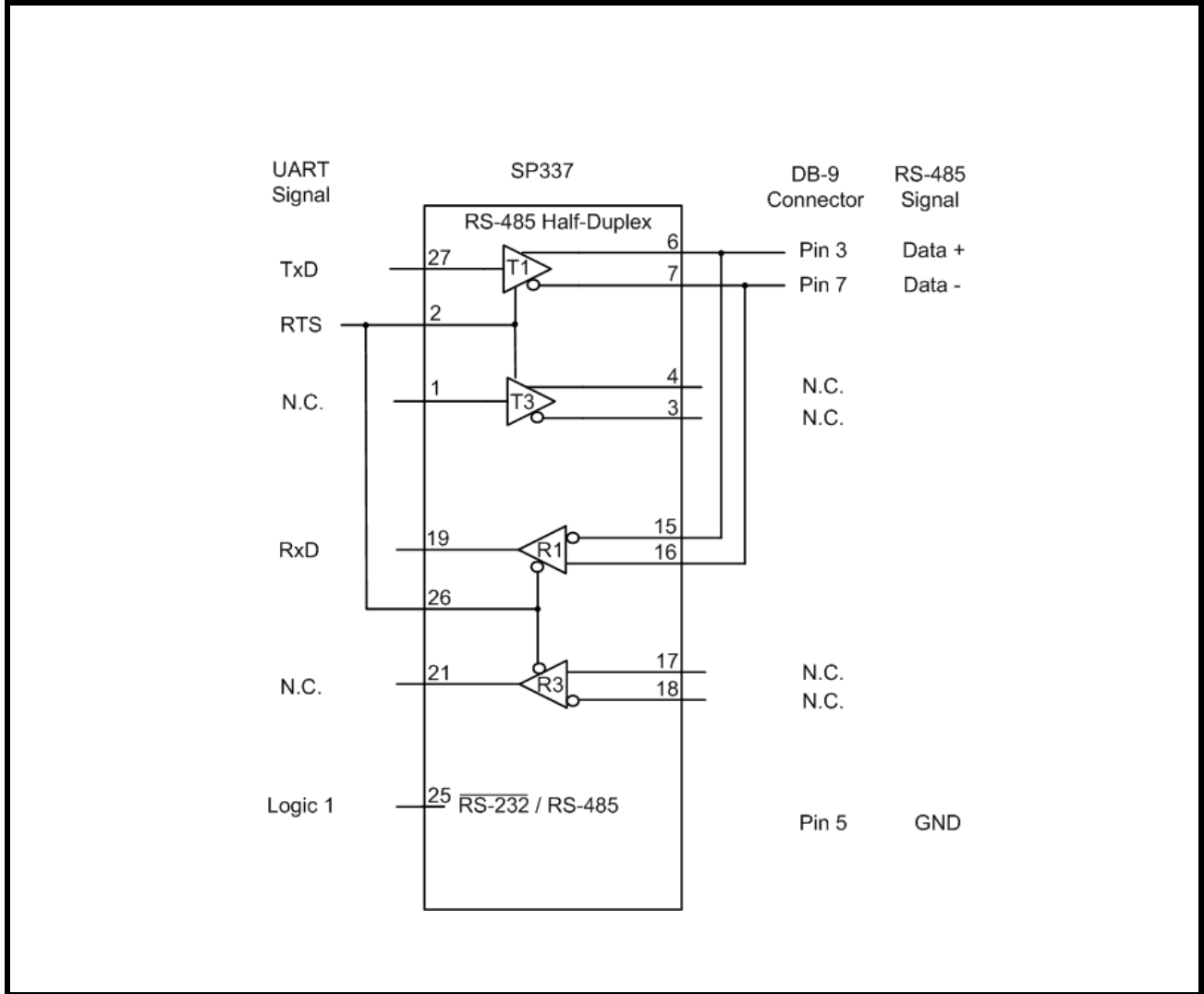
FIGURE 2. FULL-DUPLEX RS-485/RS-422 PINOUT



4.0 HALF-DUPLEX RS-485 PINOUT

Figure 3 below shows the half-duplex RS-485 connections. The RTS pin is used to control the direction of the RS-485 differential drivers and receivers.

FIGURE 3. HALF-DUPLEX RS-485 PINOUT



4.0.1 Considerations for using SP337 in both half-duplex RS-485 and RS-232 mode

If the device is to be used in RS-232 mode, then the connections from pin 15 to 6 and 16 to 7 must be opened. Considerations may also be needed for connection from pin 26 to 2. Open/Close these connections by using:

- a two pin header
- an opto relay
- a half-duplex wired mating connector

As an alternative for half-duplex RS-485 and RS-232 mode for a DB9, the SP336 can also be used. See AN210 for details of using the SP336 in both RS-485 and RS-232 modes on a DB9 connector.

AN211

5.0 SUMMARY

The tables below summarize the configurations in this document. Table 1 shows what the pin signals will be at the DB-9 connector.

TABLE 1: DB-9 CONNECTOR PIN CONNECTIONS

	DB-9 PIN 1	DB-9 PIN 2	DB-9 PIN 3	DB-9 PIN 4	DB-9 PIN 5	DB-9 PIN 6	DB-9 PIN 7	DB-9 PIN 8	DB-9 PIN 9
RS-232 Mode	DCD	RxD	TxD	DTR	GND	DSR	RTS	CTS	RI
RS-485/RS-422 Mode (Full-Duplex)		RX-	TX+		GND		TX-	RX+	
RS-485/RS-422 Mode (Half-Duplex)			Data +				Data -		
SP337 Pin Number	18	15	6	4	8	17	7	16	24

Table 2 shows the same information as table 1 but presented in a different way.

TABLE 2: SP337 PIN CONNECTIONS

	SP337 PIN 4	SP337 PIN 6	SP337 PIN 7	SP337 PIN 8	SP337 PIN 15	SP337 PIN 16	SP337 PIN 17	SP337 PIN 18	SP337 PIN 24
RS-232 Mode	DTR	TxD	RTS	GND	RxD	CTS	DSR	DCD	RI
RS-485/RS-422 Mode (Full-Duplex)		TX+	TX-	GND	RX-	RX+			
RS-485/RS-422 Mode (Half-Duplex)		Data +	Data -						
DB-9 Pin Number	4	3	7	5	2	8	6	1	9

NOTICE

EXAR Corporation reserves the right to make changes to the products contained in this publication in order to improve design, performance or reliability. EXAR Corporation assumes no responsibility for the use of any circuits described herein, conveys no license under any patent or other right, and makes no representation that the circuits are free of patent infringement. Charts and schedules contained here in are only for illustration purposes and may vary depending upon a user's specific application. While the information in this publication has been carefully checked; no responsibility, however, is assumed for inaccuracies.

EXAR Corporation does not recommend the use of any of its products in life support applications where the failure or malfunction of the product can reasonably be expected to cause failure of the life support system or to significantly affect its safety or effectiveness. Products are not authorized for use in such applications unless EXAR Corporation receives, in writing, assurances to its satisfaction that: (a) the risk of injury or damage has been minimized; (b) the user assumes all such risks; (c) potential liability of EXAR Corporation is adequately protected under the circumstances.

Copyright 2011 EXAR Corporation

Document March 2011.

For technical support please email Exar's Serial Technical Support group at: serialtechsupport@exar.com.

Reproduction, in part or whole, without the prior written consent of EXAR Corporation is prohibited.
